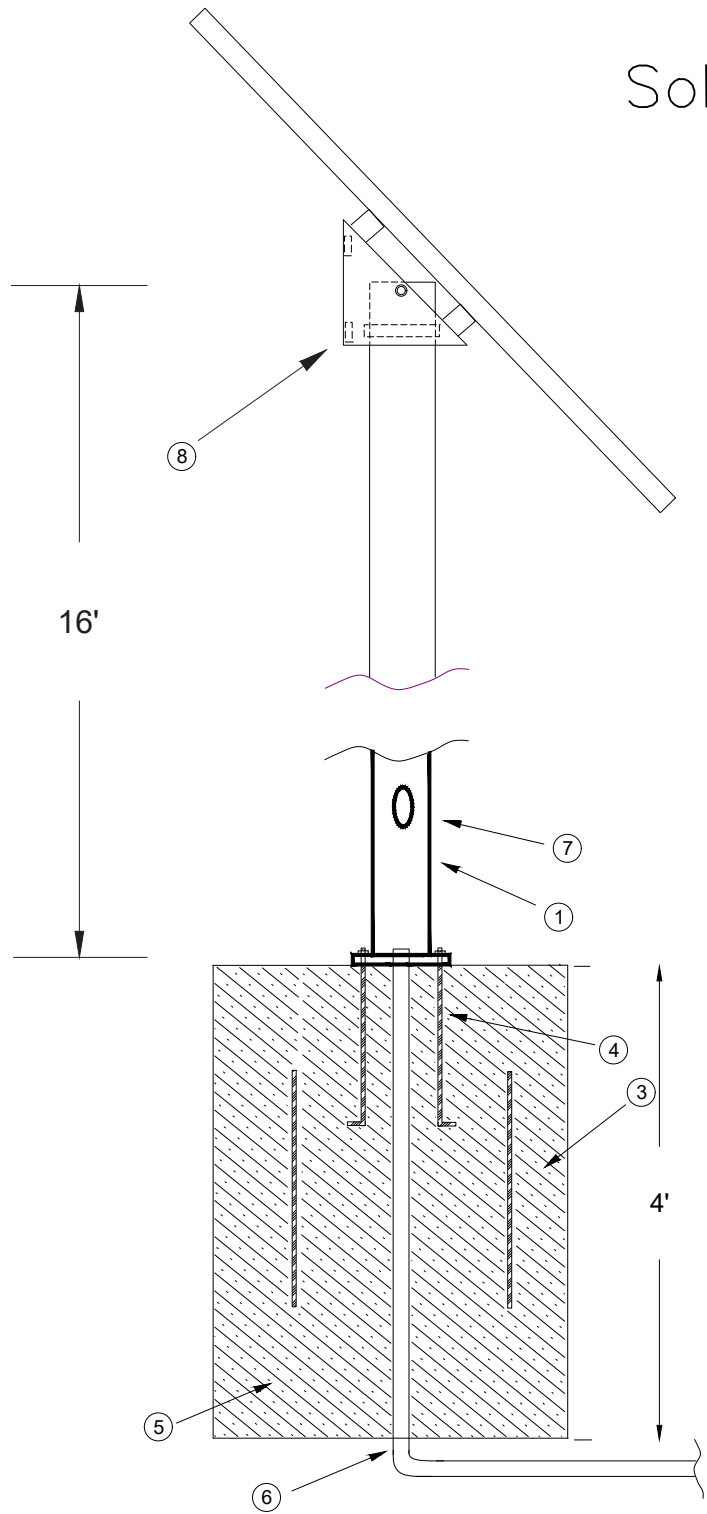


# Solar Panel Installation



- ① - Solar Panel Pole
- ② - 36" x 48" Sono Concrete Form
- ③ - #4 24" Rebar
- ④ - 18" Anchor Bolts
- ⑤ - Concrete Pour
- ⑥ - Conduit for Solar Cable
- ⑦ - Hole Opening
- ⑧ - UNI-TP Pole Mounting Kit

