

RAIN BUCKET



INSTALLATION



RAIN BUCKET

FIELD INSTALLATION

- 1). A clear and unobstructed mounting location is necessary to obtain accurate rainfall readings.
- 2). The tipping rain bucket can be mounted two ways; surface mounting and mast mounting.
 - **Surface mounting:** This is recommended where possible. The housing chamber must be mounted in a level position and located free from vibration.
 - **Mast mounting:** Make sure that the mast is properly guided so that vibration in high winds is kept to a minimum.
- 3). Installation consists of attaching the three sensor support legs to a firm platform, or securing the side bracket to a stable vertical structure (Figure 1). The sensor cable is then connected to the Irrigation controller. See External Wiring.

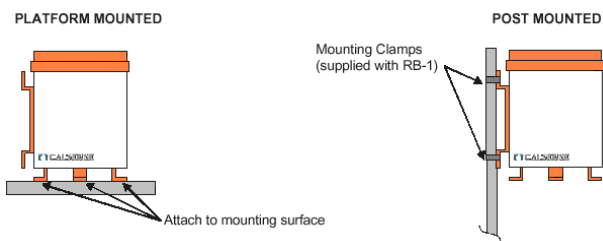


Figure 1

- 4). The following is very important: After the final rain bucket installation has been made, remove the top gold funnel portion and observe the black tipping bucket. It should **not** be held in a dead center position. Press either end of the bucket down against the stop to be sure that it is not centered.

EXTERNAL WIRING

- 1). The Calsense irrigation controller has an additional pigtail cable for reading rainfall data collected and transmitted by the rain bucket. This cable has two (2) 22 AWG grey wires that connect to the two (2) colored wires of the rain bucket. The 25 foot, two (2) wire connecting cable from the rain bucket can be shortened or lengthened as required (Figure 2).

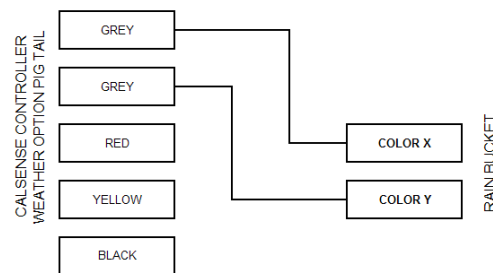


Figure 2

- 2). If the Transient Protection Board (TP-1) is used, carefully connect the two grey wires from the rain bucket to the terminals on the board labeled BUCKET (Figure 3).

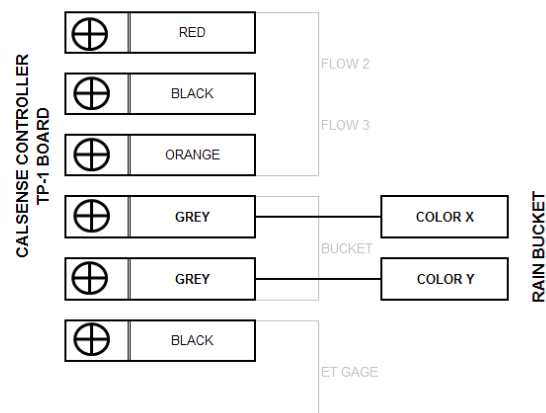


Figure 3

3). One rain bucket can be used with multiple irrigation computers.

- **The maximum number of irrigation controllers is twelve (12).**

Use Paige cable P7171D if in a conduit or Paige cable P7171D-A if direct burial.

- **The maximum length of cable is 1000 feet.**

Note: The RB-1 runs on 5 volts DC that requires a positive and negative connection. When installing an

RB-1 to share information with more than one controller, the polarity must be taken into consideration. The positive and negative wires must be matched consistently throughout all of the controller connections for the RB-1 to send rain readings. The RB-1 will not register rain if the polarity is reversed on a multi-controller setup.

NOTE: If directly connecting multiple controllers to a single rain bucket, please call Calsense Product Support at (800)-572-8608 for further assistance.



2075 Corte del Nogal, Suite P, Carlsbad CA 92011
1-(800)-572-8608 FAX: 1-(760)-438-2619
www.calsense.com

Stock Number: PG1-RB-C

Rev. 03/06



making water work

since 1986